



COYOTE
ENTERPRISES, INC.

877.659.8040

www.coyoteparts.com

Parts and Machinery for the Abrasive Blast Industry

RIM-LOC

REVERSIBLE

8 VANE WHEEL



The RIM-LOC

Wheel Difference:

- Easiest and quickest replacement of vanes in the industry.
- Coyote's RIM-LOC Reversible Wheels deliver unequaled abrasive concentration across the work for faster, more even cleaning with less wheel wear.
- Optimum abrasive flow rate results in faster cleaning cycles.
- The unique design allows for easy wheel maintenance.
- The feed parts are universal for either CW or CCW rotation.

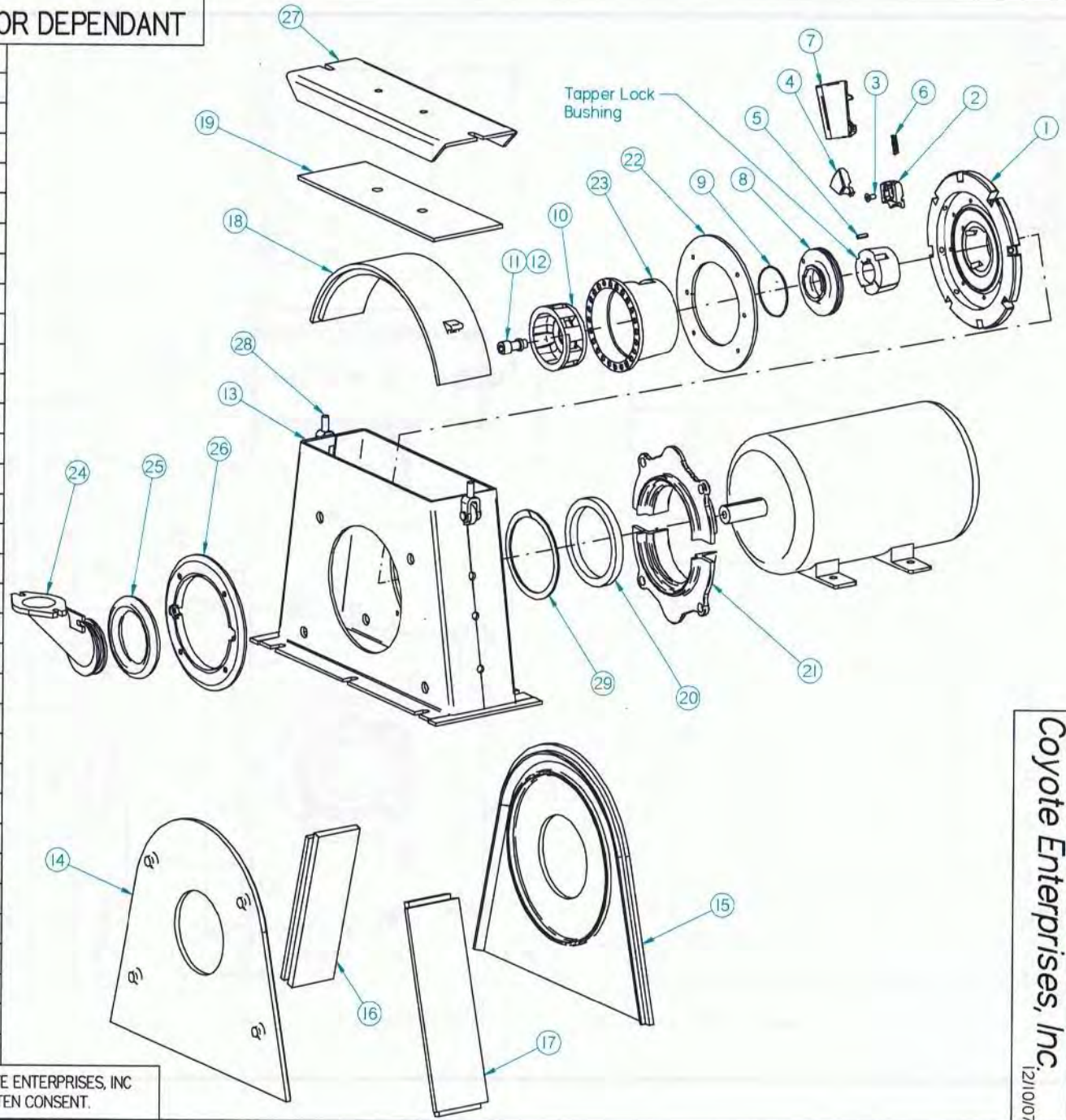
Parts & Machinery for the Abrasive Blast Industry

Coyote Enterprises, Inc. 27301 E. 121st Street, Coweta, Oklahoma 74429 PH: (918) 486-8411 FX: (918) 486-8412

Website: www.coyoteshotblast.com Email: www.coyotesales@tulsacoxmail.com

NOTE: ITEMS 7, 11, 12 & 21 MOTOR DEPENDANT

Item Nu	P/N	Description	Qty
1	4040180	Rim 8 Blade	1
2	3050010	Medallion Rim Loc	8
3	7000021	Torx Head Screw	8
4	3050011	Filler Rim Loc 8	8
5	C6000531	Roll Pin	1
6	5100651-8	Spring - Set of 8	1
7*	P6000024-8	Blade 14" set of 8	1
7*	P6000025-8	Blade 15" set of 8	1
8	P6000028	Centering Plate	1
9	3060153	O-Ring CTR Plate	1
10	P6010000	Impeller - 8	1
11*	C6000962	5/8" H/C Lock Washer	1
11*	C7003108	1/2" Lock Washer	1
12*	C7004114	5/8" Socket Head Cap Bolt	1
12*	C7003914	1/2" Socket Head Cap Bolt	1
13	C0102045	12" Blast Housing	1
14	C5001939	Liner-Side-Front	1
15	3051940	Liner-Side-Rear	1
16	C5001937	Liner-End-Short	1
17	C5002308	Liner-End-Long	1
18	C5001936	Liner-Top	1
19	C0002046	Liner B/H-Lid	1
20	3060151	Seal - Felt	1
21*	P6020002	Seal Plate-Rear-5/8" Lip	1
21*	P6000027	Seal Plate-Rear-1.25" Lip	1
22	C0000268	Adapter-Cage-Inner	1
23	P6000029=54" CAGE or P6050014=40" CAGE		1
24	C5000303	Feed Spout	1
25	3060152	O-Ring Spout	1
26	C5100301	Adapter-Cage-Outter	1
27	C0102041	Lid-Blast Housing	1
28	C6101159	Clevis Yoke	2
29	4060789	Seal-Rear-Inner	1



I-5-2



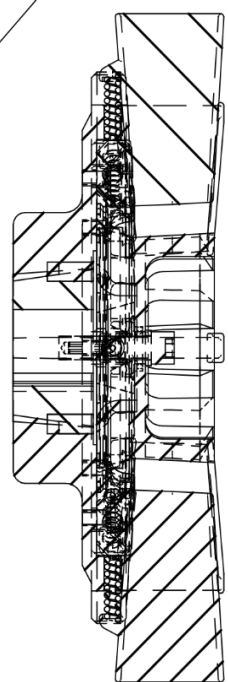
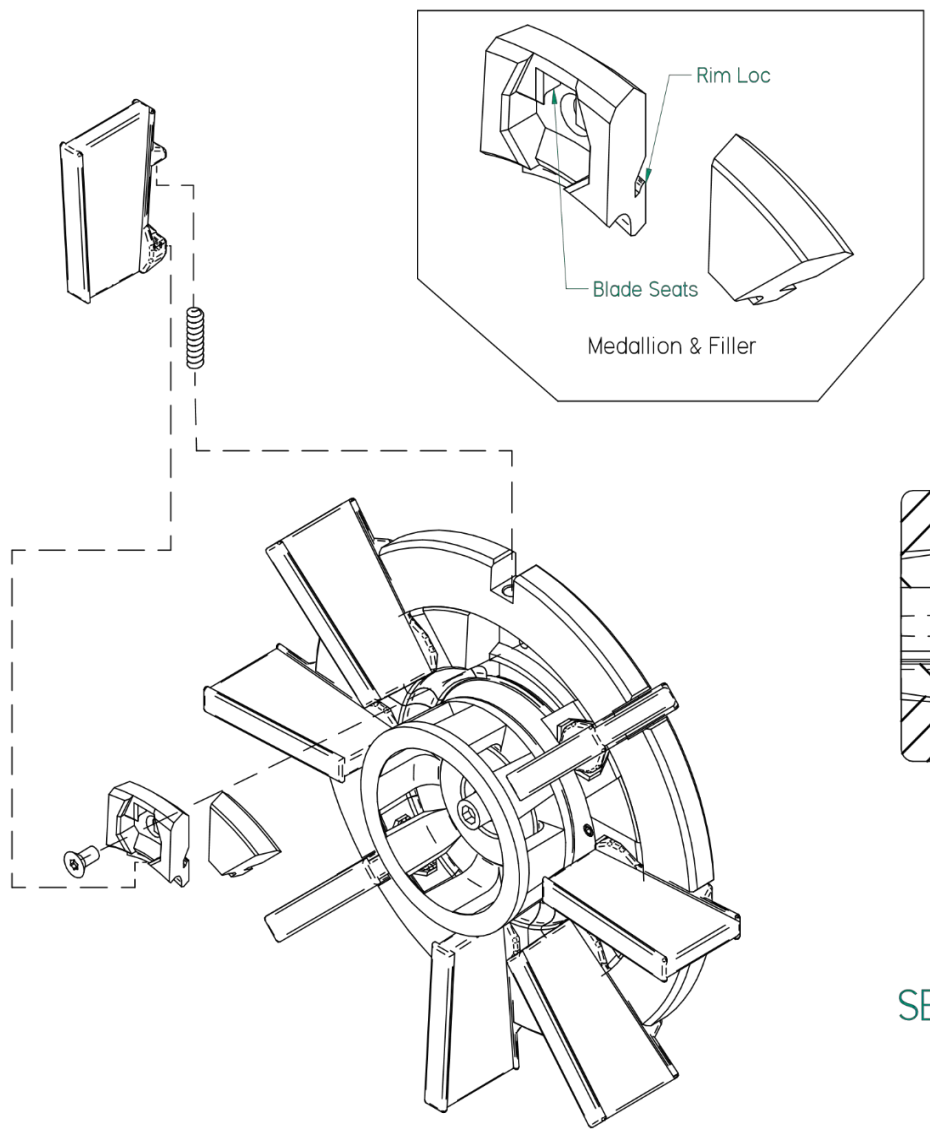
 Coyote Enterprises, Inc.

 Rim Loc 8 Blade

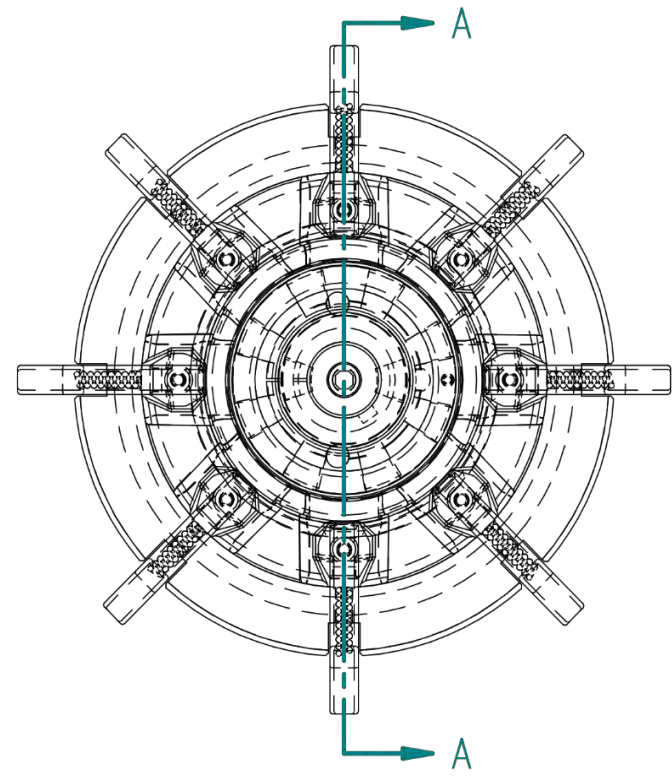
 12/10/07

THIS DRAWING & DESIGN THEREIN IS THE PROPERTY OF COYOTE ENTERPRISES, INC
 USE & COPIES THEREOF CANNOT BE MADE WITHOUT WRITTEN CONSENT.

REVISION HISTORY				1 OF 1	
REV	SYM	WAS	NOW	DATE	



SECTION A-A

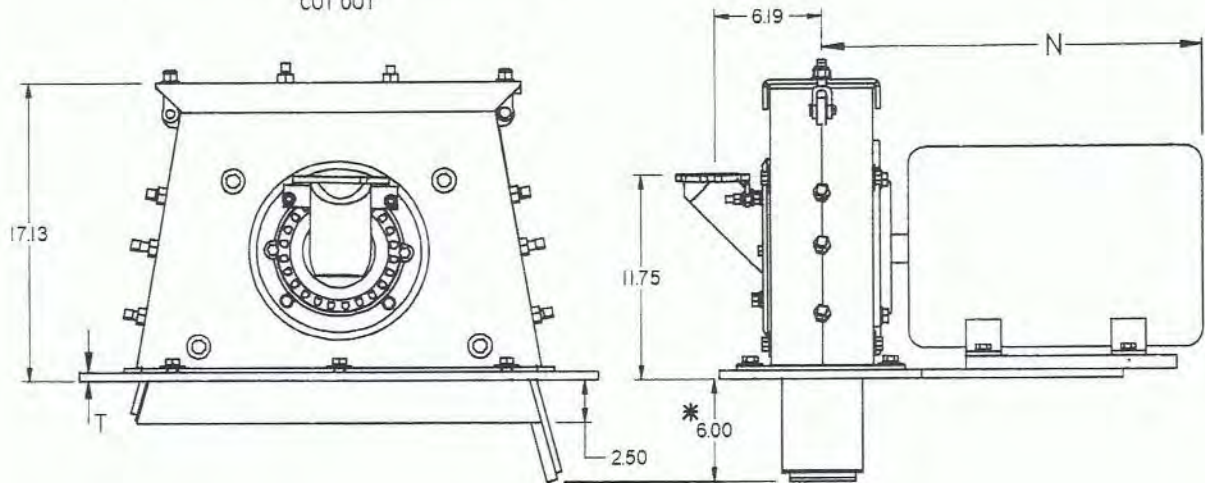
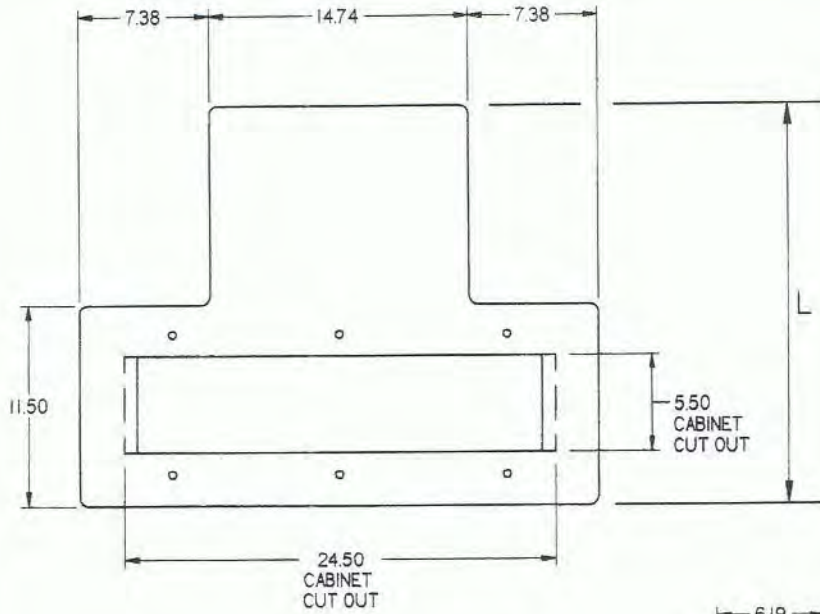


THIS DRAWING & DESIGN THEREIN IS THE PROPERTY OF COYOTE ENTERPRISES, INC
 USE & COPIES THEREOF CANNOT BE MADE WITHOUT WRITTEN CONSENT.

		Coyote Enterprises, Inc.				4980180	DWG NO
TITLE		Rim Loc 8 Blade		RimLoc			
DRAWN BY	DATE	APPROVED	REV	SIZE	SCALE		
M Sprague	11/01/2016			A			
MATERIAL :							
<small>UNLESS OTHERWISE SPECIFIED DIMENSIONS ARE IN INCHES ANGLES ± 1° 2 PL. ±X.01 3 PL. ±X.001</small>							


DWG NO 4900192

REVISION HISTORY					1 OF 1
REV	SYM	WAS	NOW	DATE	



MOTOR HP.	LBS SHOT PER MIN	MOTOR TYPE	N	T	L
7.5	126	213T	20"	1/2"	23.0"
10	183	215T	21-1/2"	1/2"	23.0"
15	298	254T	21-1/2"	1/2"	23.0"
20	412	256T	24"	1/2"	23.0"
25	610	284TS	24"	5/8"	27.0"
30	642	286TS	26-1/8"	5/8"	27.0"

* OPTIONAL LONG LINER
NONE OR BOTH SIDES

 **Coyote Enterprises, Inc.**

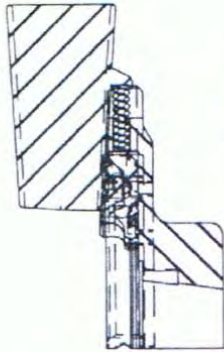
TITLE Rim Loc Base Plate Size					
DRAWN BY	DATE	APPROVED	REV	SIZE	SCALE
TZERBEY	1/16/2006			A	N/A
MATERIAL :					
UNLESS OTHERWISE SPECIFIED DIMENSIONS ARE IN INCHES ANGLES 4:1 2 PL.#X.01 3 PL.#X.01					

THIS DRAWING & DESIGN THEREIN IS THE PROPERTY OF COYOTE ENTERPRISES, INC
USE & COPIES THEREOF CANNOT BE MADE WITHOUT WRITTEN CONSENT.

RIM-LOC

REVERSIBLE 8 VANE WHEEL

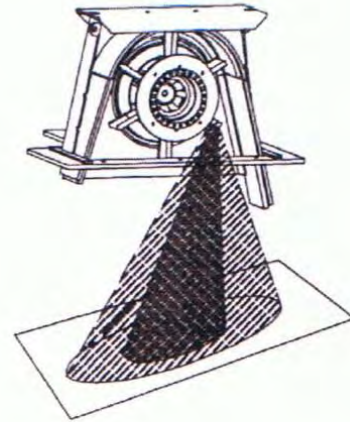
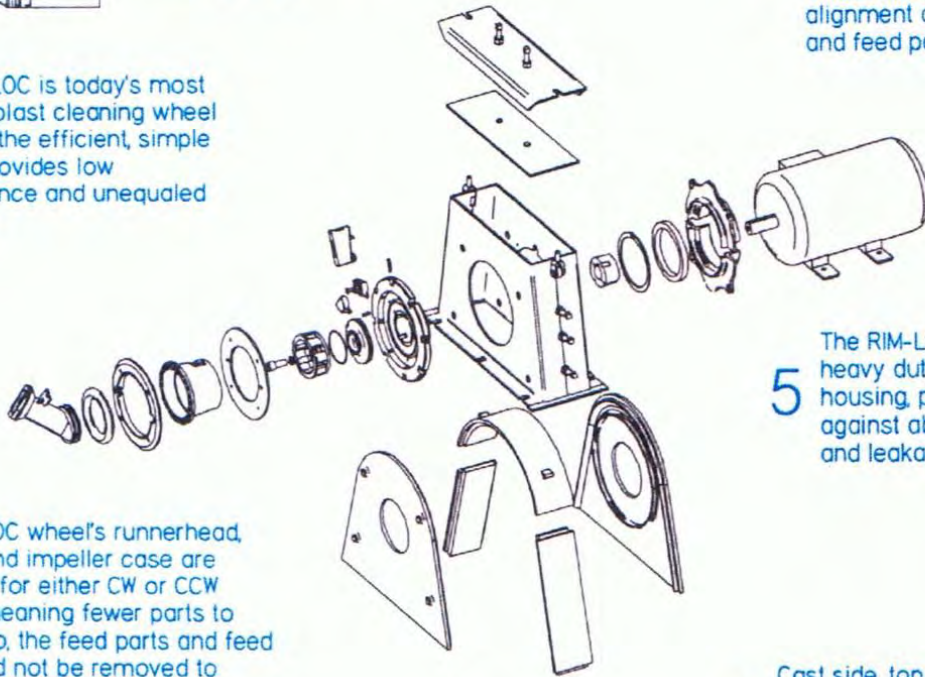
- Maximum Abrasive Concentration
- Maximum Cleaning Power
- Maximum Parts Service Life
- Maximum Ease of Maintenance
- Six Major Advantages



1 Patented vanes are reversible to operate in either CW or CCW rotation, reducing stock requirements. The RIM-LOC design holds the vanes in place, eliminating the need for pins or attachments. Simply remove the vanes for maintenance.

2 The RIM-LOC is today's most efficient blast cleaning wheel because the efficient, simple design provides low maintenance and unequalled wear life.

3 The RIM-LOC wheel's runnerhead, impeller and impeller case are reversible for either CW or CCW rotation, meaning fewer parts to stock. Also, the feed parts and feed spout need not be removed to change the vanes, reducing maintenance time and cost.



4 A foot-mounted direct drive 3600 RPM motor mounts precisely to the RIM-LOC wheel box providing optimum alignment of the runnerhead and feed parts.

5 The RIM-LOC features a heavy duty carbon steel housing, protecting against abrasive wear and leakage.

6 Cast side, top and end liners with labyrinth seals completely protect the RIM-LOC wheel housing from abrasive wear. While simple to install, the cast liners can be easily repositioned for maximized service life.



COYOTE
ENTERPRISES, INC.