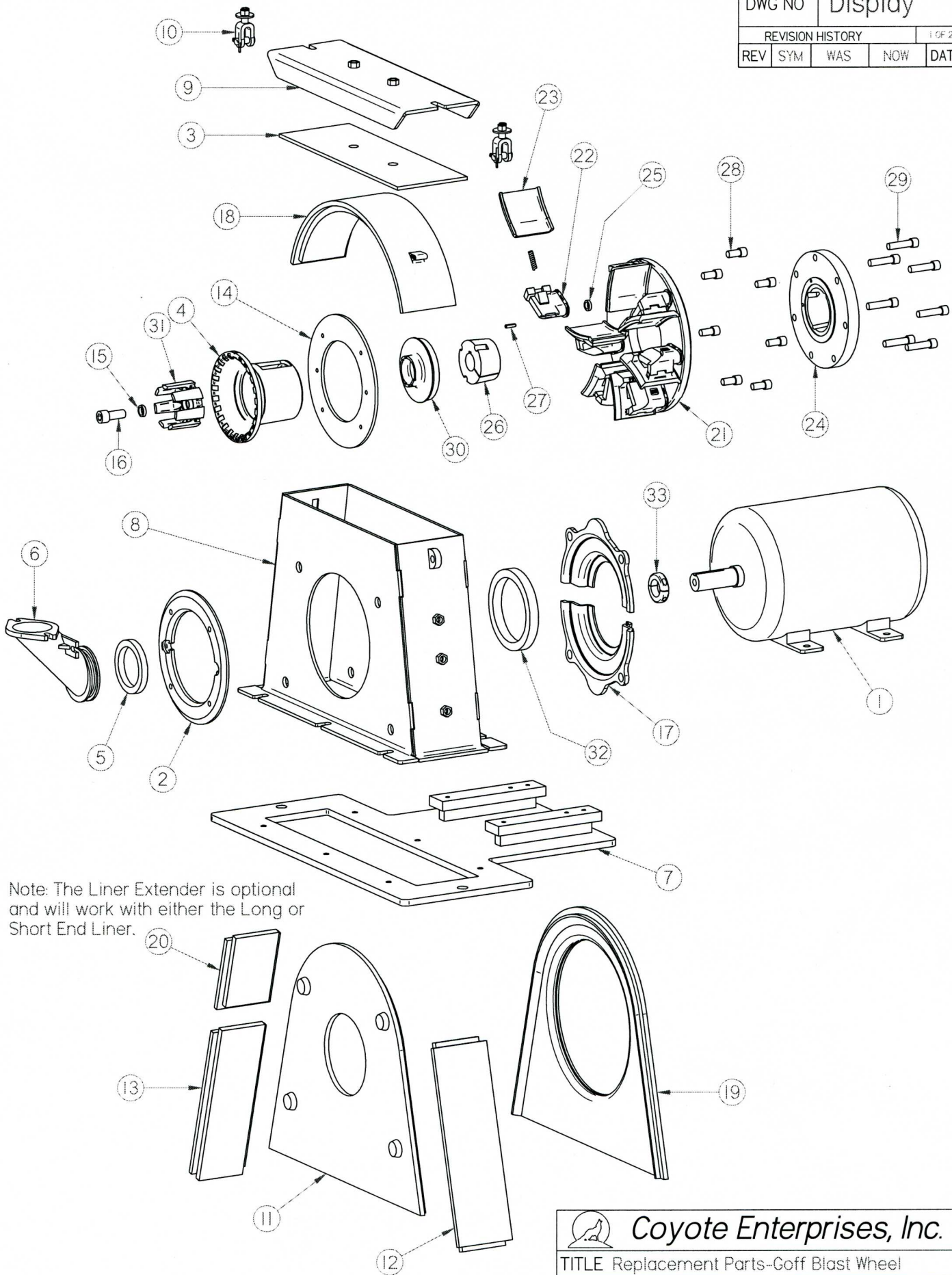



REVISION HISTORY					1 OF 2
REV	SYM	WAS	NOW	DATE	



Note: The Liner Extender is optional and will work with either the Long or Short End Liner.

 **Coyote Enterprises, Inc.**

TITLE Replacement Parts-Goff Blast Wheel

DRAWN BY	DATE	APPROVED	REV	SIZE	SCALE
QSummers	12/6/2011			A	NTS


MATERIAL :  
UNLESS OTHERWISE SPECIFIED DIMENSIONS ARE IN INCHES ANGLES ± 1° 2 PL. ± X01 3 PL. ± X001

Item	Doc Num	Title	Qty
1	C8100029	Motor 7.5 HP Blast Wheel	1
1	C8000546	Motor 10 HP Blast Wheel	1
1	C8101030	Motor 15 HP Blast Wheel	1
1	C8002796	Motor 20 HP Blast Wheel	1
1	C8100048	Motor 25 HP Blast Wheel	1
1	C8100044	Motor 30 HP Blast Wheel	1
2	C5100301	Cage Adapter Outer 12	1
3	C0002046	Liner Lid 12" BH	1
4	C5000138	Control Cage-40 deg	1
5	C5000302	Spout Seal	1
6	C5000303	Spout 90 Degree (Shown)	1
6	3050045	Spout 45 Degree	1
6	1000000-A	Spout-Straight	1
7	C0103091	Base Plate 7-1/2-10 HP (Shown)	1
7	C0100125	Base Plate-Goff 15/20 HP	1
7	4040086	Base Plate Std 25/30 HP	1
8	C0102045	Housing Blast Wheel 12	1
8	C0102045-AR	Housing Blast Wheel 12 AR400	1
9	C0102041	Lid BH 12	1
10	C6101159-A	Clevis-Yoke End Assembly	2
11	C5001939	Liner-Side F	1 or 2
12	C5002308	Liner-End Long	1
13	C5001937	Liner-End Short	1 or 2
14	C0000268	Cage Retainer Inner 12	1
15	C6000962	Washer-Lock-Hi Collar	1
16	C7004114	Bolt Impeller 12, 5/8-11x1-1/2	1
17	C5100292	Seal-Hub 12	1
18	C5001936	Liner-Top 12" (Shown)	1
18	C5001936-001L	Liner-Top Left	1

Item	Doc Num	Title	Qty
18	C5001936-002R	Liner-Top Right	1
19	C5001938	Liner-Side R	1
20	C5000129	Liner-Cast-Extension-Housing	?
21	C0002428	Wheel Bear 12" (7Blade)	1
21	C0044559	Wheel Bear 12" (8 Blade)	1
22	C5100116-7R	Block CW Set 7 (116)	1
22	C5101543-8R	Block CW Set 8 (116)	1
22	C5100117-7L	Block CCW Set 7	1
22	C5101544-8L	Block CCW Set 8 (117)	1
23	C5102064-7	Blade Set 7, 12"	1
23	C5102063-7	Blade Set 7, 13.5"	1
23	C5101366-7	Blade Set 7, 15"	1
23	C5101540-8	Blade Set 8, 12"	1
23	C5101541-8	Blade Set 8, 13.5"	1
23	C5101542-8	Blade Set 8, 15"	1
24	C0000291	Hub-12 7 Station	1
24	C0044560	Hub-12 8 Station	1
25	C5000294	Shear Ring	#
*26	C6000857	Bushing T/L 2517 x 1-3/8 Bore	1
*26	C6000956	Bushing T/L 2517 x 1-5/8 Bore	1
27	C6000531	Pin - Roll 1/4 x 7/8	1
28	C7003910	Bolt-Blade Block-1/2 x 1" Lg	#
29	C7003920	Bolt-Blade Block-1/2 x 2" Lg	#
30	C5000137	Centering Plate	1
31	C5000136	Impeller 7 Blade-Goff Wheel	1
31	C5002103	Impeller 8 Blade-Goff Wheel	1
32	C0000293	Hub Seal-Goff 12" BW	1
33	3000268	Split Collar - 1-3/8"	

# - The quantity for items 15, 18 and 19 is determined by the number of Blades.

\* - Determined by motor HP. 7-1/2 and 10 HP motors require the use of C6000857. 15, 20, 25, and 30 HP motors require the use of C6000956.

 <b>Coyote Enterprises, Inc.</b>					
TITLE Replacement Parts-Goff Blast Wheel					
DRAWN BY	DATE	APPROVED	REV	SIZE	SCALE:
QSummers	12/6/2011			A	N/A
MATERIAL :					
UNLESS OTHERWISE SPECIFIED DIMENSIONS ARE IN INCHES ANGLES = 1° 2 PL *X01 3 PL *X001					