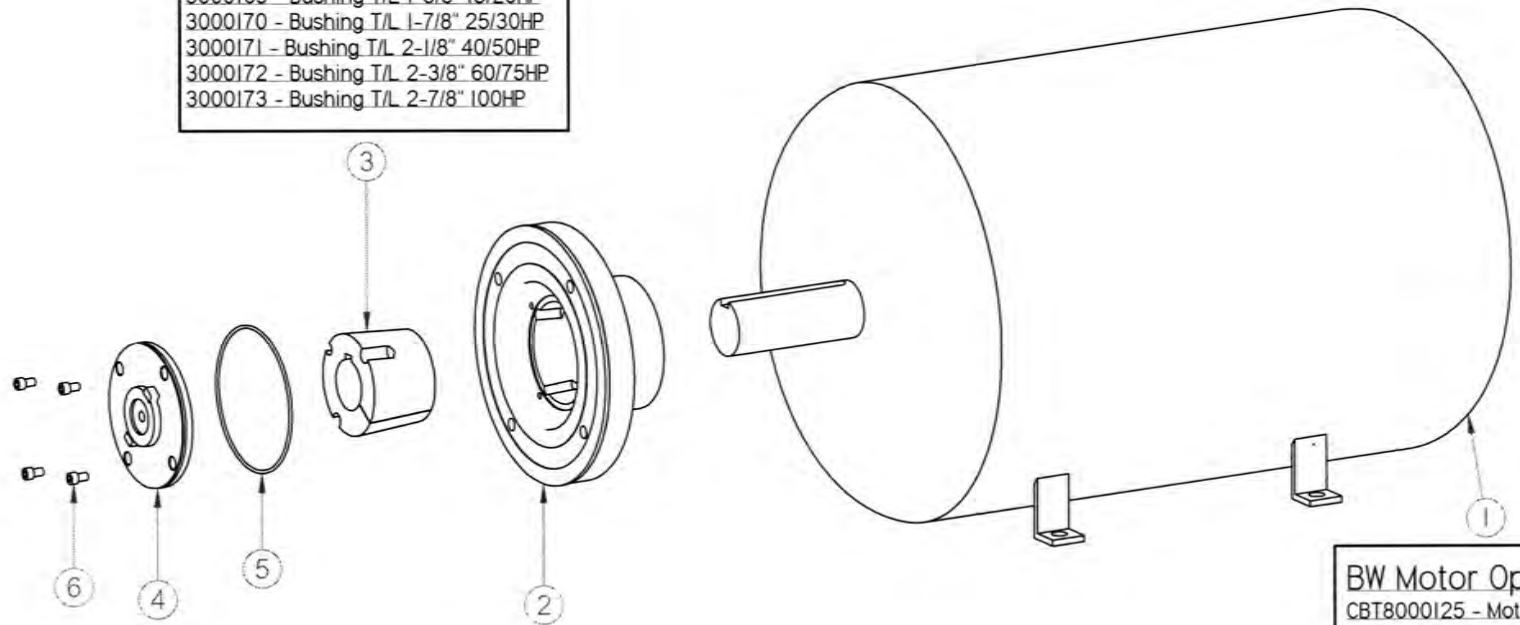


REVISION HISTORY				
REV	SYM	WAS	NOW	DATE

Taper Lock Bushings  
 3000169 - Bushing T/L 1-5/8" 15/20HP  
 3000170 - Bushing T/L 1-7/8" 25/30HP  
 3000171 - Bushing T/L 2-1/8" 40/50HP  
 3000172 - Bushing T/L 2-3/8" 60/75HP  
 3000173 - Bushing T/L 2-7/8" 100HP

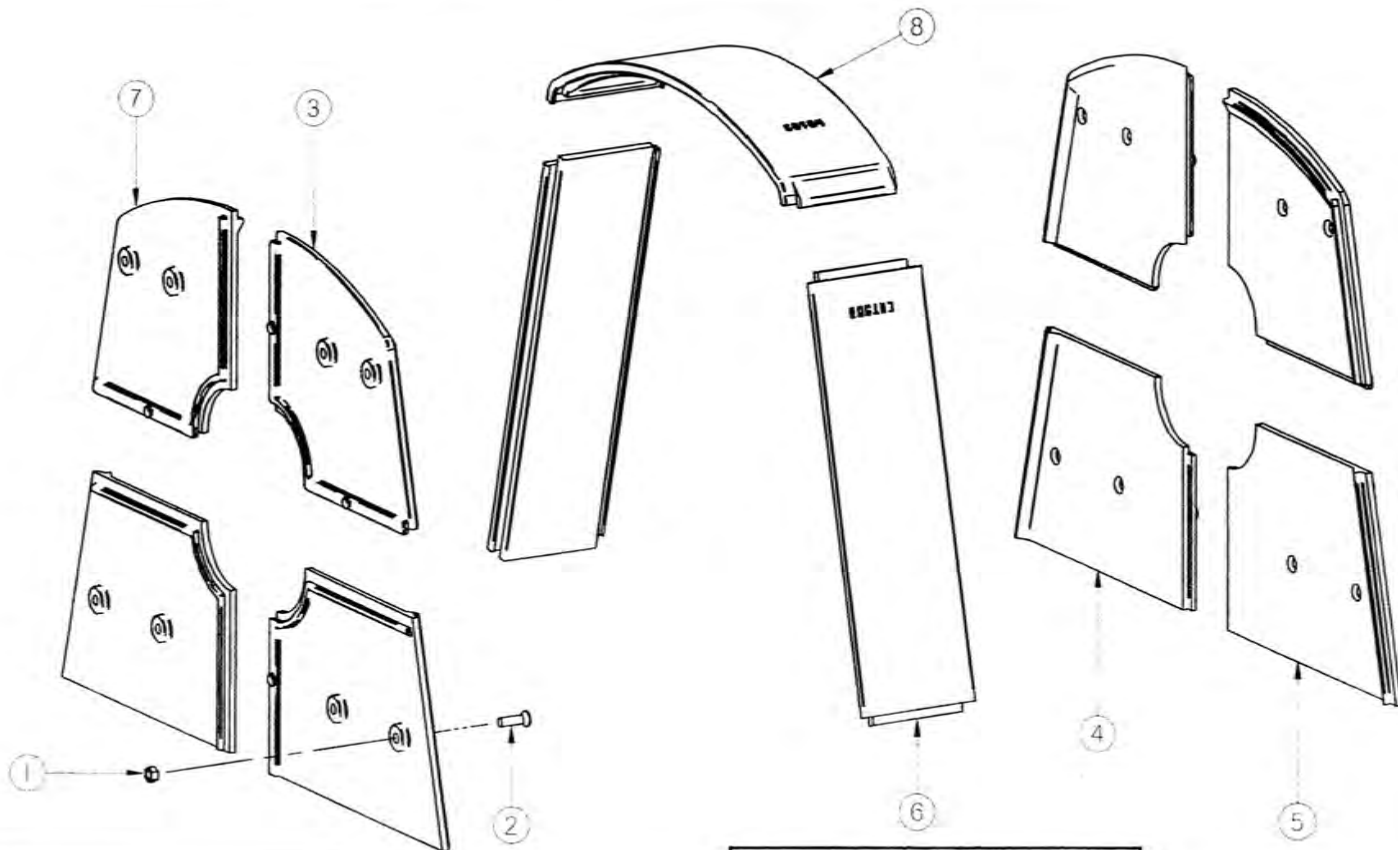


**BW Motor Options**  
 CBT8000125 - Motor 25HP  
 CBT8000130 - Motor 30HP  
 CBT8000140 - Motor 40HP  
 CBT8000150 - Motor 50HP  
 CBT8001060 - Motor 60HP  
 CBT8000069 - Motor 75HP  
 CBT8000100 - Motor 100HP

Item	Doc Num	Title
1	8080068	Motor-Blast Wheel
2	CBT15TL	Runnerhead Hub - Universal
3	SEE CHART	Bushing T/L
4	CBT15CP	Centering Plate - Universal Hub
5	CBT15OR	O-Ring - Centering Plate
6	C7003910	Socket Hd Cap Bolt - 5/16-18 x 1/2

THIS DRAWING & DESIGN THEREIN IS THE PROPERTY OF COYOTE ENTERPRISES, INC  
 USE & COPIES THEREOF CANNOT BE MADE WITHOUT WRITTEN CONSENT.

TITLE Universal Hub Assembly				CBT2400	
DRAWN BY	DATE	APPROVED	REV	SIZE	SCALE
OSummers				A	NTS
MATERIAL :					
UNLESS OTHERWISE SPECIFIED DIMENSIONS ARE IN INCHES ANGLES ±1° 2 PL. #X01 3 PL. #X01					
DWG NO					CBT2400



### End Liner Options

CBT50 - Liner End Lower 2PC 14.5" CBT  
 CBT50A - Liner End Lower 2PC 16.5" CBT  
 CBT53 - Liner End Upper 2PC 8.5"  
 CT503 - Liner End I-Pc 24" (shown)  
 CBT503A - Liner End I-Pc 26"  
 CBT503B - Liner End I-Pc 22.5"  
 CBT4053648 - Liner End Extender 8.5" CBT

Item	Doc Num	Title
1	C7002904	1/2-13 Nut
2	CBT161	Bolt, Wear-Less Liner Retention
3	CBT45	Side/Top 2 Quad Liner
4	CBT47	Side Liner Lower Quad 1
5	CBT48	Side Liner Lower Quad 2
6	See Chart	End Liner
7	CBT51	Side/Top Quad 1 Liner
8	CBT54	Top Liner

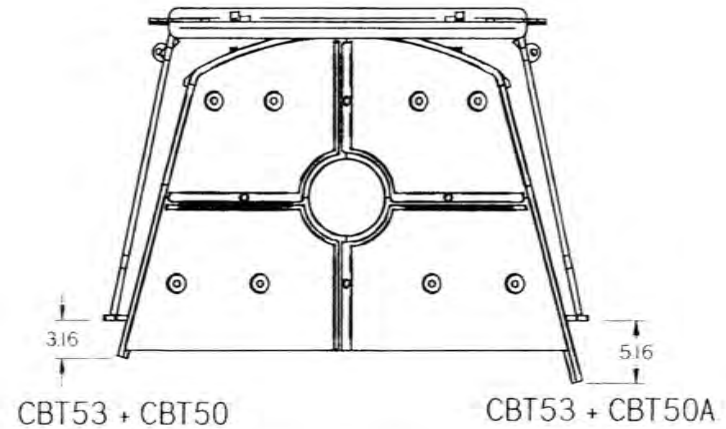
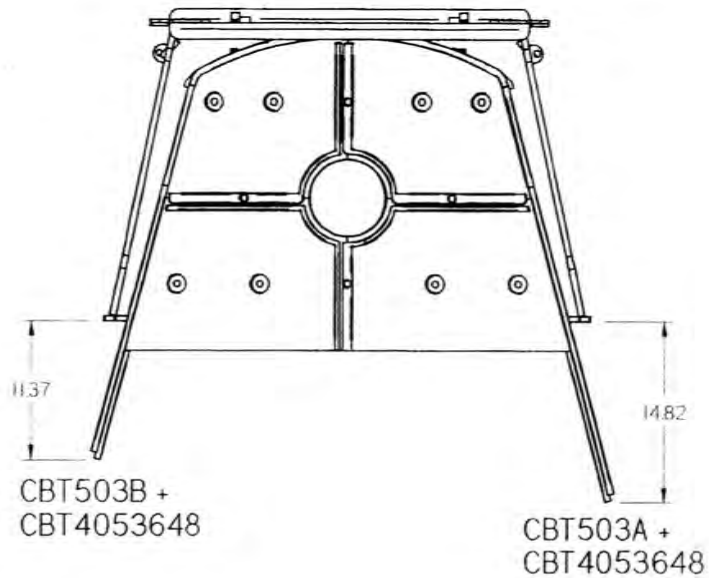
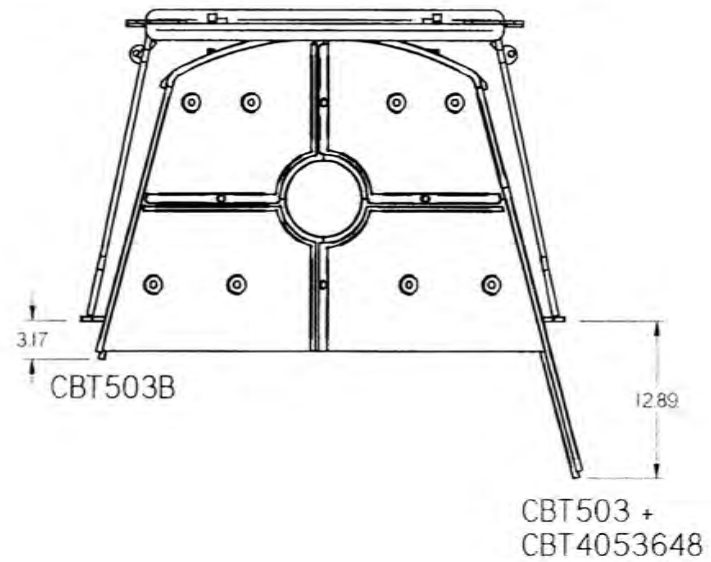
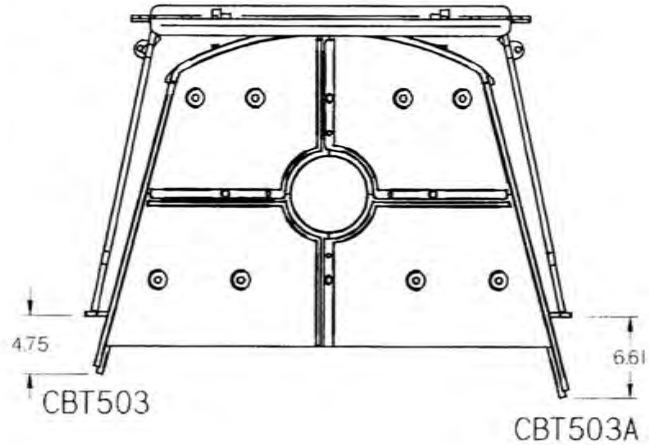
THIS DRAWING & DESIGN THEREIN IS THE PROPERTY OF COYOTE ENTERPRISES, INC  
 USE & COPIES THEREOF CANNOT BE MADE WITHOUT WRITTEN CONSENT.


		<b>Coyote Enterprises, Inc.</b>		CBT	
TITLE CBT2400		CBT			
DRAWN BY OSummers	DATE 1/22/2009	APPROVED	REV	SIZE A	SCALE 1:10
MATERIAL :					
<small>UNLESS OTHERWISE SPECIFIED DIMENSIONS ARE IN INCHES ANGLES ± 1° 2 PL. 4X01 3 PL. 4X001</small>					

CBT2400

DWG NO

REVISION HISTORY					1 OF 1
REV	SYM	WAS	NOW	DATE	



 **Coyote Enterprises, Inc.**

TITLE CBT2400 Liner Options CBT

DRAWN BY	DATE	APPROVED	REV	SIZE	SCALE
QSummers	2/16/2009			A	1:15

MATERIAL :

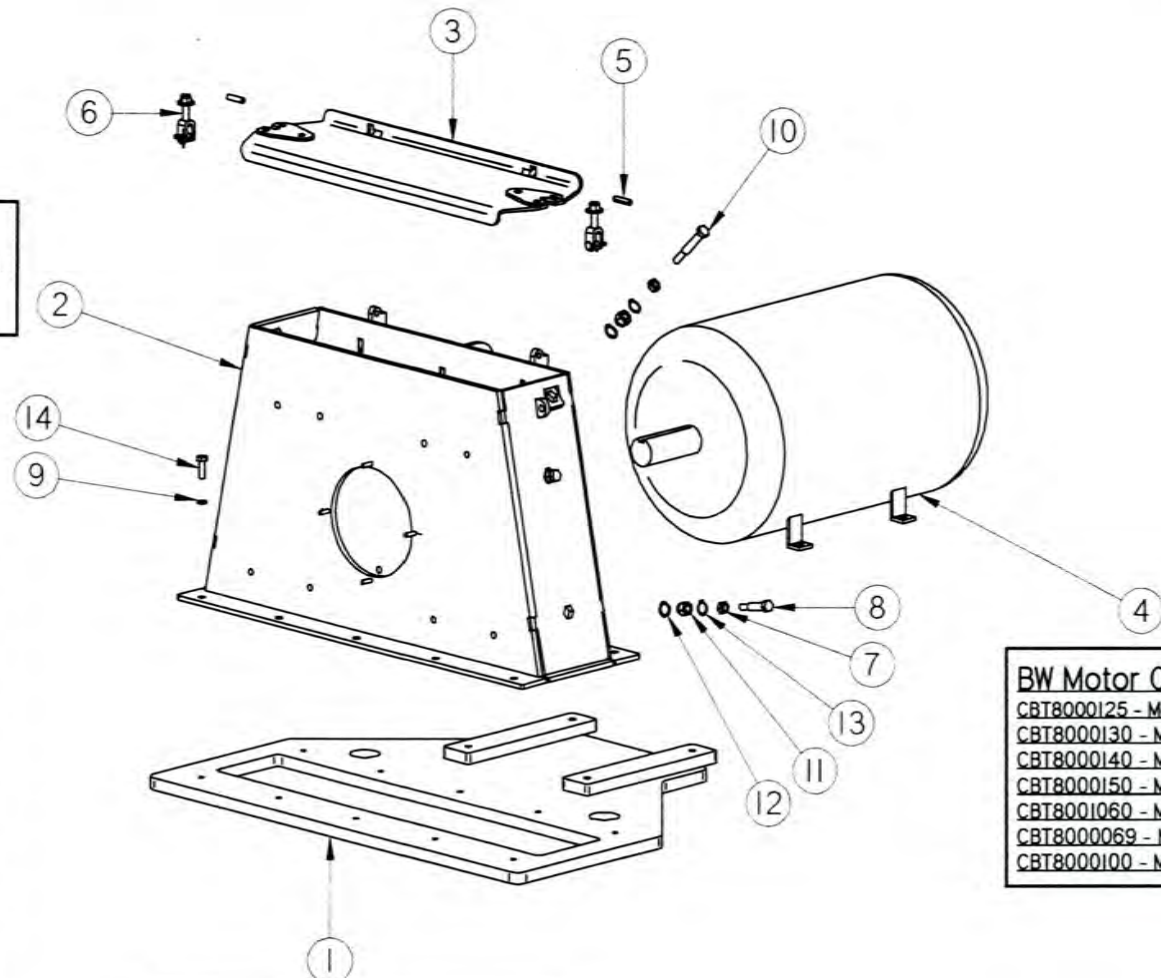
UNLESS OTHERWISE SPECIFIED DIMENSIONS ARE IN INCHES ANGLES ±1° 2 PL. #X01 3 PL. #X001

DWG NO  
CBT2400

THIS DRAWING & DESIGN THEREIN IS THE PROPERTY OF COYOTE ENTERPRISES, INC  
USE & COPIES THEREOF CANNOT BE MADE WITHOUT WRITTEN CONSENT.

### Housing Options

CBT39A-I - BW Housing Assy Bare MidStl CBT  
 CBT39AR - BW Housing Assy Bare-AR CBT  
 CBT39MA - BW Housing Assy Manganese



### BW Motor Options

CBT8000125 - Motor 25HP  
 CBT8000130 - Motor 30HP  
 CBT8000140 - Motor 40HP  
 CBT8000150 - Motor 50HP  
 CBT8001060 - Motor 60HP  
 CBT8000069 - Motor 75HP  
 CBT8000100 - Motor 100HP

### Base Plates

4974056 - Base Plate CBT 25/30HP  
 4974047 - Base Plate CBT 40/50HP  
 4973815 - Base Plate CBT 60/75HP (shown)  
 4003813 - Base Plate CBT 100HP

Item	Doc Num	Title
1	See Chart	Base Plate-CBT
2	See Chart	BW Housing-CBT
3	4973798	Lid-BW Housing
4	See Chart	Motor-Blast Wheel
5	CBT163	Roll Pin, BW Housing Lid
6	3000156	.5 x 2.125in Clevis
7	CBT182	Jam Nut Liner Retainer
8	CBT151	Bolt-End Liner Retainer
9	C7003108	1/2" Lock Washer
10	CBT150	Bolt-Top Liner Retainer
11	4020853	Nut-Liner Clamp
12	Hardware	Large Retainer Clip
13	Hardware	Small Retainer Clip
14	Hardware	1/2" - 13 x 1-1/2" Long Bolt

THIS DRAWING & DESIGN THEREIN IS THE PROPERTY OF COYOTE ENTERPRISES, INC  
 USE & COPIES THEREOF CANNOT BE MADE WITHOUT WRITTEN CONSENT.

TITLE CBT2400			CBT		
DRAWN BY	DATE	APPROVED	REV	SIZE	SCALE
OSummers	1/22/2009			A	1:15
MATERIAL :					
<small>UNLESS OTHERWISE SPECIFIED DIMENSIONS ARE IN INCHES ANGLES ± 1° 2 PL. #X01 3 PL. #X001</small>					

DWG NO  
CBT2400

### Spout Options

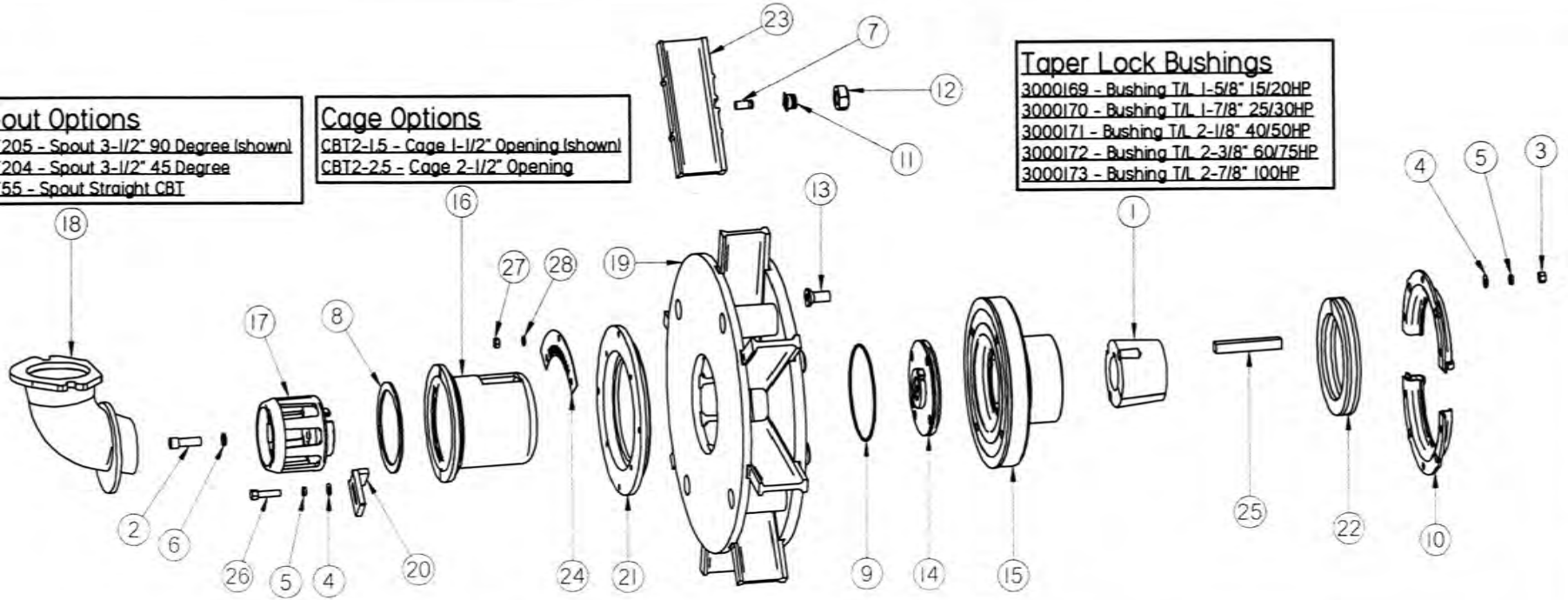
CBT205 - Spout 3-1/2" 90 Degree (shown)  
 CBT204 - Spout 3-1/2" 45 Degree  
 CBT55 - Spout Straight CBT

### Cage Options

CBT2-1.5 - Cage 1-1/2" Opening (shown)  
 CBT2-2.5 - Cage 2-1/2" Opening

### Taper Lock Bushings

3000169 - Bushing T/L 1-5/8" 15/20HP  
 3000170 - Bushing T/L 1-7/8" 25/30HP  
 3000171 - Bushing T/L 2-1/8" 40/50HP  
 3000172 - Bushing T/L 2-3/8" 60/75HP  
 3000173 - Bushing T/L 2-7/8" 100HP



Item	Doc Num	Title
1	See Chart	Bushing T/L
2	C70003914	Bolt - Impeller Retainer
3	C7002707	3/8 - 16 Nut
4	C7003006	3/8 Flat Washer
5	C7003106	Lock Washer - 3/8
6	C7003108	1/2" Lock Washer
7	CBT012	Pin, Blade Lock CBT
8	CBT013	Seal, Spout
9	CBT0150R	O-Ring - Centering Plate
10	CBT067	Rear Seal Retainer
11	CBT10	Bushing, Blade Pin

Item	Doc Num	Title
12	CBT11	Cover, Blade Pin
13	CBT154	Bolt, Runnerhead Retainer FHCS CBT
14	CBT15CP	Centering Plate - Universal Hub
15	CBT15TL	Runnerhead Hub - Universal
16	See Chart	Control Cage
17	CBT20	Impeller CBT
18	See Chart	Feed Spout
19	CBT24	Runner Head
20	CBT6	Spout Clamp CBT
21	CBT7	Control Cage Adapter
22	CBT70C-1	Seal, Hub Poly-Felt (3-pc)

Item	Doc Num	Title
23	CBT8	Blade - CBT8
24	CBT9I	Dial IControl Cage Position Indicator
25	Hardware	Key Stock
26	Hardware	Bolt 3/8 x 1-1/2" Long
27	HARDWARE	5/16-18 NUT
28	HARDWARE	5/16 LOCK WASHER

THIS DRAWING & DESIGN THEREIN IS THE PROPERTY OF COYOTE ENTERPRISES, INC  
 USE & COPIES THEREOF CANNOT BE MADE WITHOUT WRITTEN CONSENT.

 **Coyote Enterprises, Inc.**

TITLE		CBT2400		CBT	
DRAWN BY	DATE	APPROVED	REV	SIZE	SCALE
QSummers	1/22/2009			A	1:10
MATERIAL :					
UNLESS OTHERWISE SPECIFIED DIMENSIONS ARE IN INCHES ANGLES ±1° 2 PL. #101 3 PL. #1001					

DWG NO  
**CBT2400**