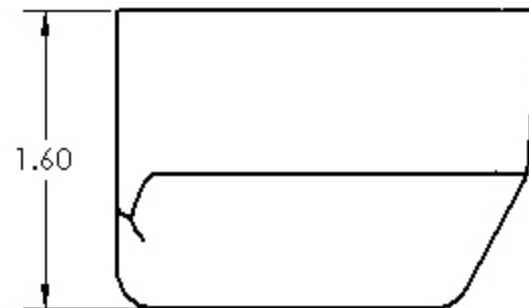
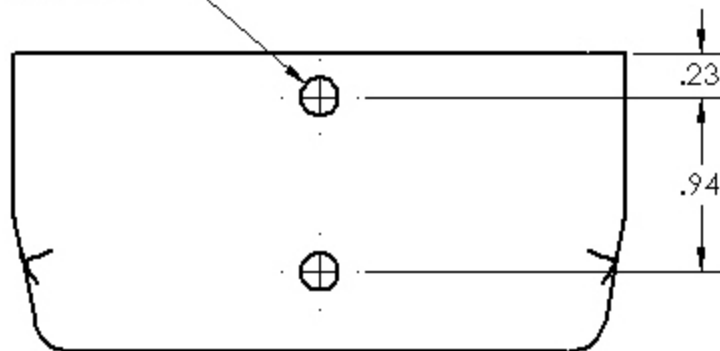


2X Ø .20 THRU



CAPACITY			
TOLERANCE ± 3%			
GROSS		USABLE	
CU. IN.	CU. FT.	CU. IN.	CU. FT.
9.8	.006	7.4	.004

PROPRIETARY AND CONFIDENTIAL

THE INFORMATION CONTAINED IN THIS DRAWING IS THE SOLE PROPERTY OF COYOTE ENTERPRISES, INC. ANY REPRODUCTION IN PART OR AS A WHOLE WITHOUT THE WRITTEN PERMISSION OF COYOTE ENTERPRISES, INC. IS PROHIBITED.

UNLESS OTHERWISE SPECIFIED:
 DIMENSIONS ARE IN INCHES
 TOLERANCES:
 FRACTIONAL ± 1/16"
 ANGULAR: ± 1°
 TWO PLACE DECIMAL ± .01
 THREE PLACE DECIMAL ± .001

MATERIAL
 .064 - A36 - P&O

FINISH

DO NOT SCALE DRAWING

	NAME	DATE
DRAWN	D Walsh	07/21/2017
ENG APPR.		



Coyote Enterprises, Inc.

TITLE:
 2 x 3 Bucket

SIZE	DWG. NO.	REV
A	C0000212	

SCALE: 1:1 WEIGHT: SHEET 1 OF 1