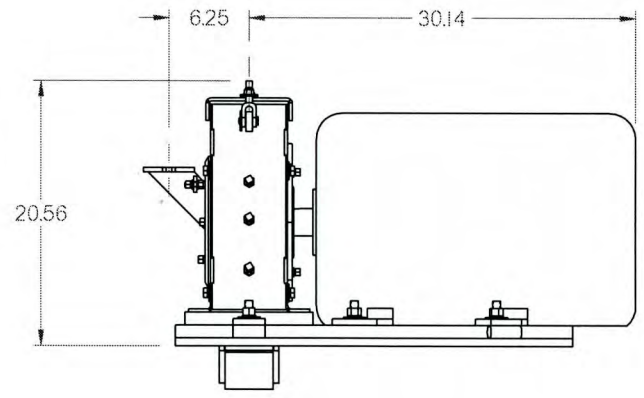
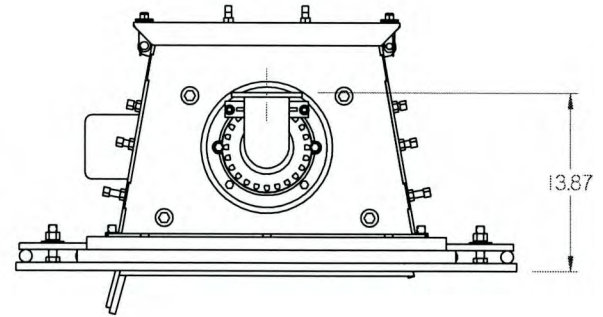
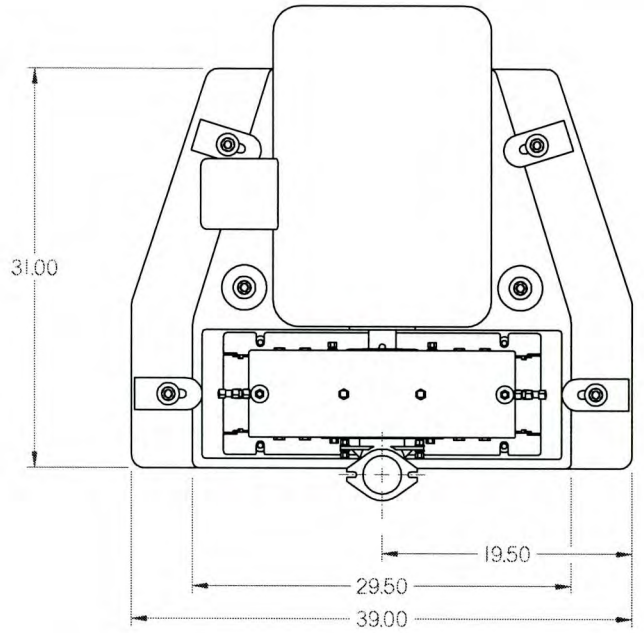



REVISION HISTORY					1 OF 1
REV	SYM	WAS	NOW	DATE	



THIS DRAWING & DESIGN THEREIN IS THE PROPERTY OF COYOTE ENTERPRISES, INC
 USE & COPIES THEREOF CANNOT BE MADE WITHOUT WRITTEN CONSENT.

 **Coyote Enterprises, Inc.**

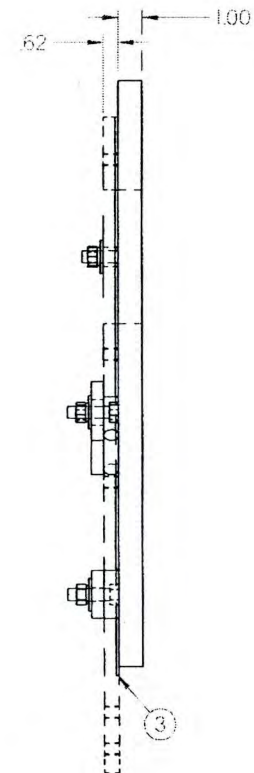
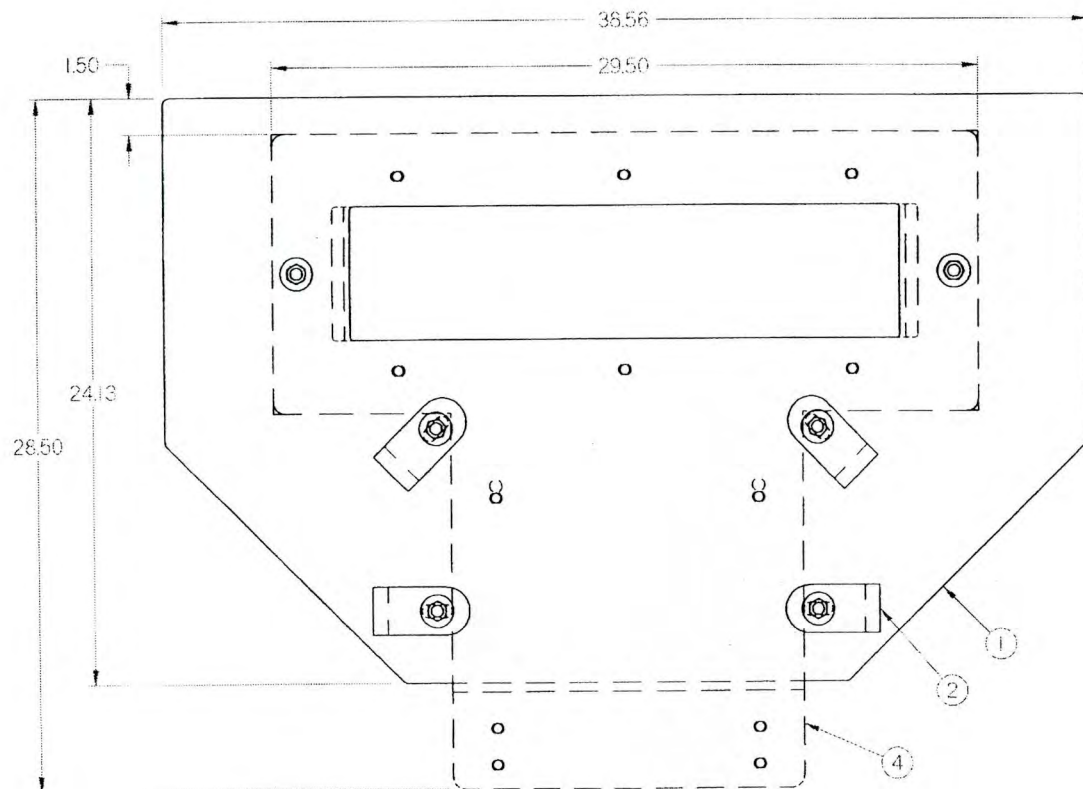
TITLE Russelloy-40hp RimLoc

DRAWN BY	DATE	APPROVED	REV	SIZE	SCALE
QSummers	4/22/2015			A	NTS

MATERIAL :

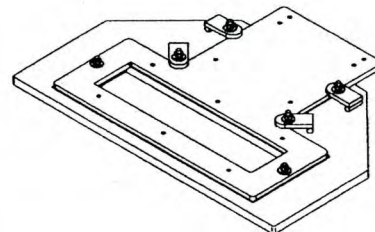
UNLESS OTHERWISE SPECIFIED DIMENSIONS ARE IN INCHES ANGLES ± 1° 2 PL ±X.01 3 PL ±X.001

Display
 DWG NO



ITEMS 1, 2 AND 3 INCLUDED IN THIS ASSEMBLY

Item	Doc Num	Title
1	4000717	Base Plate-Conversion-Pangborn
2	1000034-A	Blast Wheel Clamp - 5/8" Riser
3	4070191	Gasket-Base Plate
4	4040086	Base Plate-25/30HP * (Included in Blast Wheel Assy)

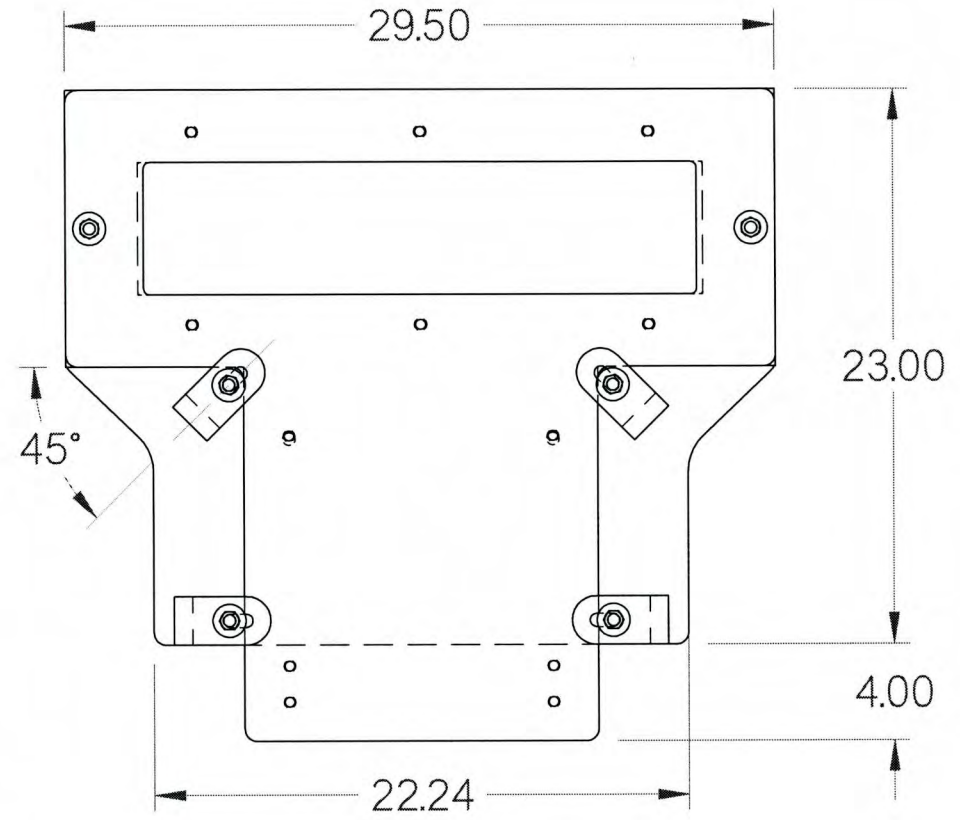
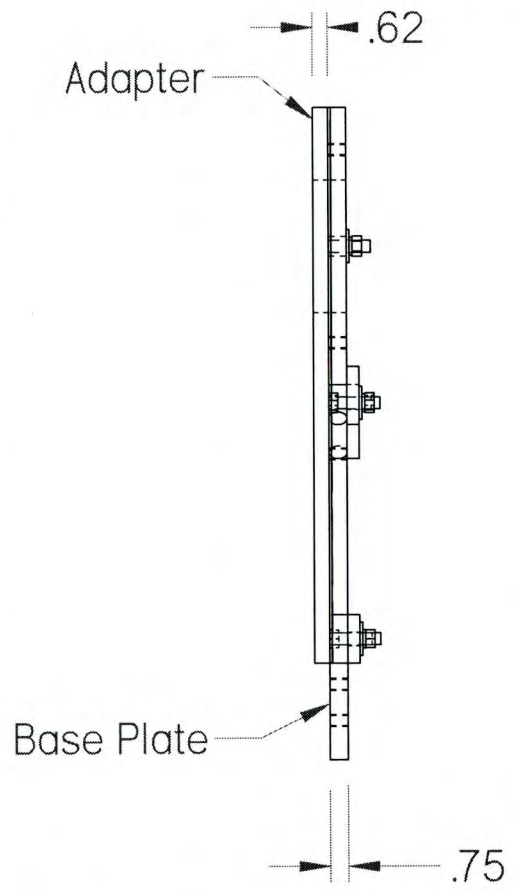


THIS DRAWING & DESIGN THEREIN IS THE PROPERTY OF COYOTE ENTERPRISES, INC
 USE & COPIES THEREOF CANNOT BE MADE WITHOUT WRITTEN CONSENT.


Coyote Enterprises, Inc.					
TITLE RimLoc-25-30hp BP with Adapter					
DRAWN BY	DATE	APPROVED	REV	SIZE	SCALE
Workstation	5/23/2016			A	
MATERIAL :					
<small>UNLESS OTHERWISE SPECIFIED DIMENSIONS ARE IN INCHES ANGLES ± 1° 2 PL. #X01 3 PL. #X001</small>					

DWG NO
 4980717

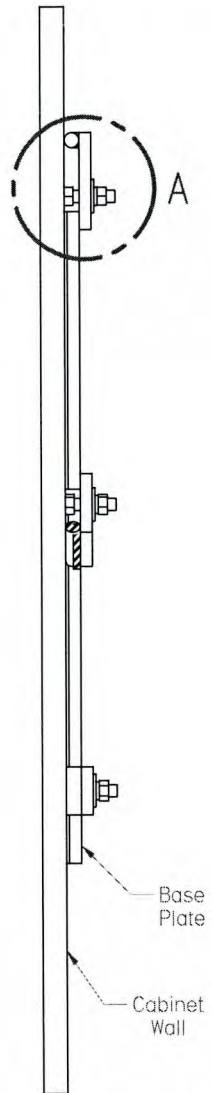
REVISION HISTORY					1 OF 1
REV	SYM	WAS	NOW	DATE	



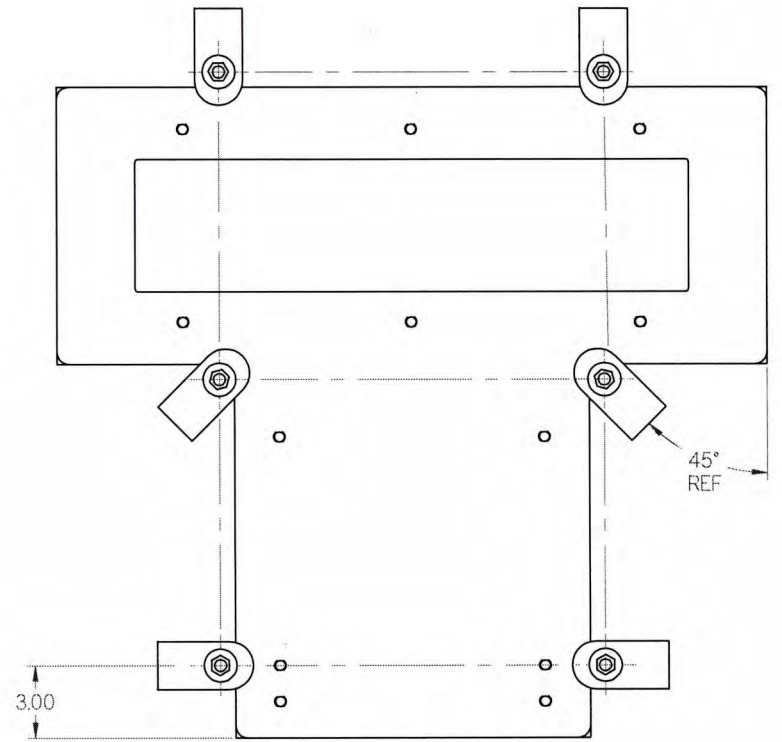
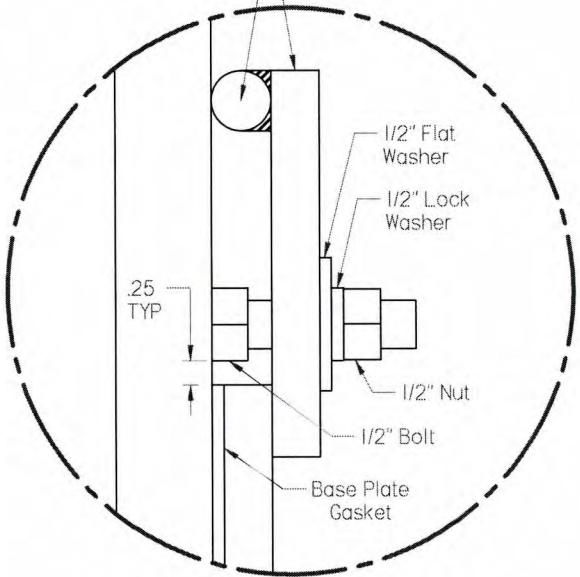
THIS DRAWING & DESIGN THEREIN IS THE PROPERTY OF COYOTE ENTERPRISES, INC
 USE & COPIES THEREOF CANNOT BE MADE WITHOUT WRITTEN CONSENT.

 Coyote Enterprises, Inc.						DWG NO Display
TITLE Base Plate Clamp Layout with Adapter						
DRAWN BY	DATE	APPROVED	REV	SIZE	SCALE	
QSummer	7/23/2014			A	1:8	
MATERIAL :						
UNLESS OTHERWISE SPECIFIED DIMENSIONS ARE IN INCHES ANGLES ± 1° 2 PL ±X01 3 PL ±X001						

REVISION HISTORY					1 OF 1
REV	SYM	WAS	NOW	DATE	




- 1000033-A Blast Wheel Clamp - 1/2" Riser
- 1000034-A Blast Wheel Clamp - 5/8" Riser
- 1000035-A Blast Wheel Clamp - 3/4" Riser



Base Plate
Cabinet Wall

DETAIL A
B.W. CLAMP ASSEMBLY

 Coyote Enterprises, Inc.					
TITLE Typical Blast Wheel Clamp Layout					
DRAWN BY	DATE	APPROVED	REV	SIZE	SCALE
QSummers	3/19/2009			A	1:8
MATERIAL :					
UNLESS OTHERWISE SPECIFIED DIMENSIONS ARE IN INCHES ANGLES ± 1° 2 PL.*X.01 3 PL.*X.001					

Display
DWG NO

THIS DRAWING & DESIGN THEREIN IS THE PROPERTY OF COYOTE ENTERPRISES, INC
USE & COPIES THEREOF CANNOT BE MADE WITHOUT WRITTEN CONSENT.